



Applications

- CNG dispensers and other combustible gases such as hydrogen.
- Lines of non-corrosive high pressure gases.

Description

The valves of this series have been specifically designed to operate in lines of CNG dispensers or other combustible gases provided in high pressure, fulfilling high strength and operating efficiency, long life and safe operations frequent under hard working conditions. Compact design allows installation in limited spaces or inside boards of command.

The piston and shutter are of PEEK an ideal material for opening and closing valve, its hardness and resistance which ensure high performance and durability.

Main characteristic

- Normally closed.
- Servo operated.
- Forged Brass Body.
- PEEK piston and shutter.
- NPT Connection.
- Enclosure weather and explosion proof coil model "ZC" - Classification:

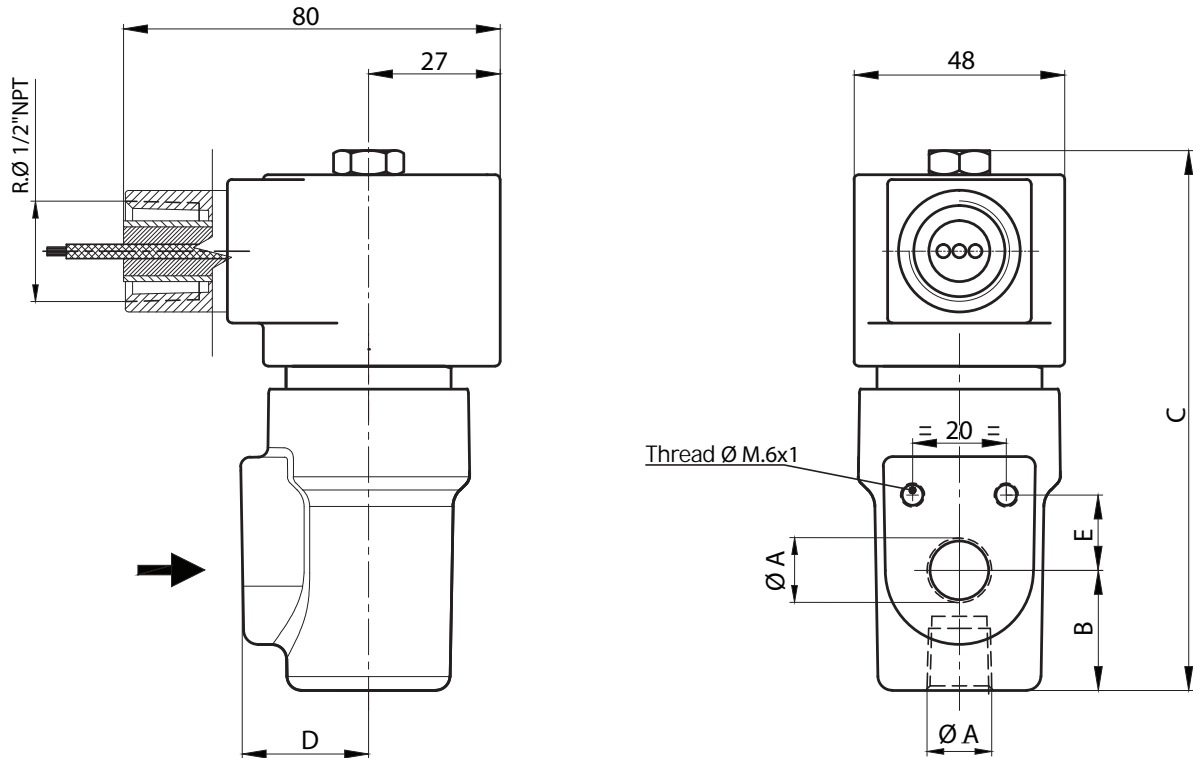


NEMA Type 3. 3S. 4X, 6, 7, 9
Class 1, División 1, Gr. C & D
Class 2, Gr. E, F & G

Technical specifications

Ø NPT Connection	Ø Orifice size		Flow Factor		Differential pressure				Power W			Maximum Temperature		Weight		Part number
					Min.		Max.		50 Hz	60 Hz	C/C	° C	° F	kg	Lb	
	bar	psi	bar	psi												
1/4"	8,5	.335	1,1	1.28	10	150	250	3750	11	13	19	65	149	1,1	2,4	ZC2015BP02T
3/8"																ZC2015BP03T
1/2"	12,7	.500	2,4	2.89												1,4

General dimensions



Connection(A)	B	C	D	E
R. 1/4"	25	113	26	16
R. 3/8"				
R. 1/2"	33,5	126	33	19,5

Measurements mm

Connection(A)	B	C	D	E
R. 1/4"	0.984	4.45	1.024	.630
R. 3/8"				
R. 1/2"	1.319	4.96	1.299	0.768

Measurements ins.

Coil characteristics

Electri Power Supply	Coil Type	Power	VA (Volt-Amper)		Available Tensions
			Inrush	Holding	
CA 50 Hz	MF11Z	11 W	40	22	24,110,220,240
CA 60 Hz	MF13Z	13 W	45	27	24,110,120,220,240
C/C	MF19Z	19 W	19	19	12, 24

Recomendation for installation

Place a strainer upstream the valve with a porosity $\leq 50 \mu$.

Mounting only over horizontal pipeline with the coil upright.

For proper operation of the valve, minimum and maximum pressures must be respected accordingly to the technical specifications.